

BJ

Low Flow



FAN

DESIGN FEATURES

- Three-piece construction
- Interchangeable spray tips
- Integral strainer available (refer to page 119 for more information)
- Male and female connections

SPRAY CHARACTERISTICS

- Relatively coarse atomization
- Uniform distribution with tapered edges for use in overlapping sprays

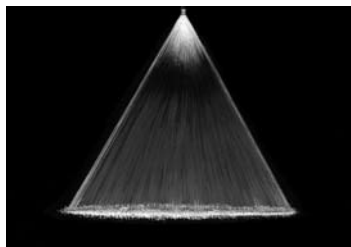
Spray pattern: Flat Fan

Spray angles: 0° to 110°

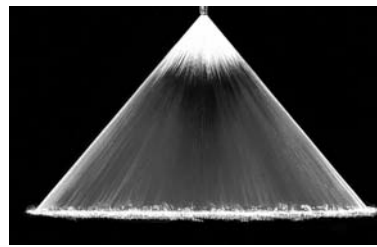
Flow rate: 0.084 to 101 l/min



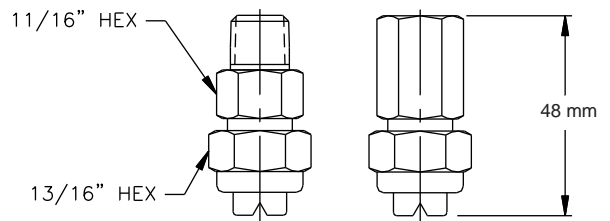
Metal



Fan 50°



Fan 80°



Dimensions are approximate. Check with BETE for critical dimension applications.

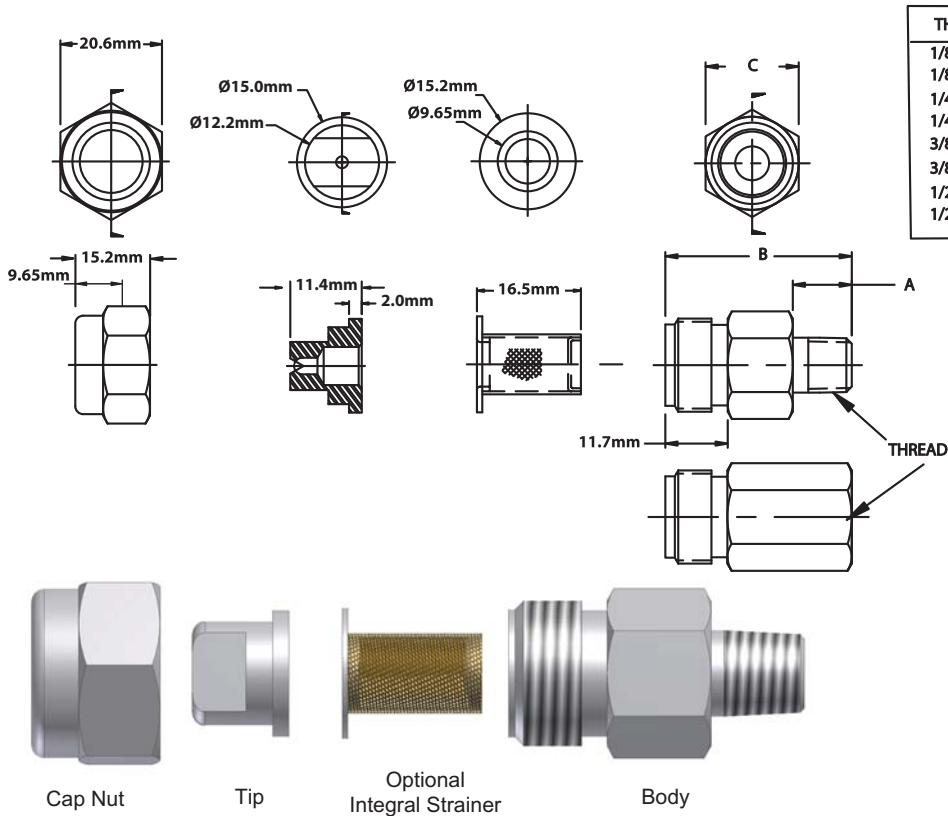
BJ Dimensions

Fan, 0° to 110° Spray Angles, 1/8", 1/4" and 3/8" Pipe Size, Male and Female

Pipe Size	Nozzle Number	Flow Rate @ 3 bar	Available Spray Angle									Optional Strainer Mesh Size	Wt. (g)	
			0°	15°	25°	40°	50°	65°	73°	80°	95°			110°
1/8"	BJ 0067	0.26	0°	15°	25°	40°	50°	65°					100	28
	BJ 0077	0.3						73°						
	BJ 01	0.39	0°	15°	25°	40°	50°	65°	73°	80°	95°	110°		
	BJ 0116	0.46												
OR	BJ 015	0.59	0°	15°	25°	40°	50°	65°		80°	95°	110°	50	28
	BJ 0154	0.61							73°					
	BJ 02	0.79	0°	15°	25°	40°	50°	65°		80°	95°	110°		
	BJ 0231	0.91												
1/4"	BJ 03	1.81	0°	15°	25°	40°	50°	65°		80°	95°	110°	50	28
	BJ 0308	1.22							73°					
	BJ 0385	1.52	0°	15°	25°	40°	50°	65°		80°	95°	110°		
	BJ 04	1.58												
OR	BJ 0462	1.82								73°			50	28
	BJ 05	1.97	0°	15°	25°	40°	50°	65°		80°	95°	110°		
	BJ 06	2.37	0°	15°	25°	40°	50°	65°		80°	95°	110°		
	BJ 0616	2.43												
3/8"	BJ 077	3.04								73°			50	28
	BJ 08	3.16	0°	15°	25°	40°	50°	65°		80°	95°	110°		
	BJ 0924	3.65												
	BJ 10	3.95	0°	15°	25°	40°	50°	65°		80°	95°	110°		
OR	BJ 15	5.92	0°	15°	25°	40°	50°	65°		80°	95°	110°	50	28
	BJ 20	7.89	0°	15°	25°	40°	50°	65°		80°	95°	110°		
	BJ 30	11.8	0°	15°	25°	40°	50°	65°		80°	95°	110°		
	BJ 40	15.8	0°	15°	25°	40°	50°	65°		80°	95°	110°		
1/2"	BJ 50	19.7		15°	25°	40°	50°	65°		80°	95°	110°	50	28
	BJ 60	23.7		15°	25°	40°	50°	65°		80°	95°	110°		
	BJ 70	27.6		15°	25°	40°	50°	65°		80°	95°	110°		

Spray angle performance varies with pressure. Contact BETE for specific data on critical applications.

TO ORDER: specify pipe size, connection type, nozzle number, spray angle, and material.



THREAD	A	B	C
1/8" MALE	11.2	35.1	11/16"
1/8" FEM	N/A	35.1	11/16"
1/4" MALE	14.2	35.1	11/16"
1/4" FEM	N/A	35.1	11/16"
3/8" MALE	14.2	35.1	11/16"
3/8" FEM	N/A	35.1	13/16"
1/2" MALE	15.7	35.1	7/8"
1/2" FEM	N/A	35.1	1 1/8"

Dimensions in mm,
C-Hex sizes in inches

Dimensions are approximate. Check with BETE for critical dimension applications.

BJ Flow Rates

Fan, 0°, 15°, 25°, 40°, 50°, 65°, 73°, 80°, 95°, 110° Spray Angles, 1/8", 1/4" and 3/8" Pipe Size, Male and Female

Pipe Size	Nozzle Number	Equiv. Orifice Dia. (mm)	K Factor	LITERS PER MINUTE @ BAR									
				0.3 bar	0.5 bar	0.7 bar	2 bar	4 bar	5 bar	10 bar	20 bar	30 bar	40 bar
1/8"	BJ 0067	0.58	0.153	0.084	0.11	0.13	0.22	0.31	0.34	0.48	0.68	0.84	0.97
	BJ 0077	0.58	0.175	0.096	0.12	0.15	0.25	0.35	0.39	0.55	0.78	0.96	1.11
	BJ 01	0.71	0.228	0.12	0.16	0.19	0.32	0.46	0.51	0.72	1.02	1.25	1.44
OR	BJ 0116	0.91	0.264	0.14	0.19	0.22	0.37	0.53	0.59	0.84	1.18	1.45	1.67
	BJ 015	0.97	0.342	0.19	0.24	0.29	0.48	0.68	0.76	1.08	1.53	1.87	2.16
1/4"	BJ 0154	0.84	0.351	0.19	0.25	0.29	0.50	0.70	0.78	1.11	1.57	1.92	2.22
	BJ 02	0.99	0.456	0.25	0.32	0.38	0.64	0.91	1.02	1.44	2.04	2.50	2.88
OR	BJ 0231	1.02	0.526	0.29	0.37	0.44	0.74	1.05	1.18	1.66	2.35	2.88	3.33
	BJ 03	1.19	0.684	0.37	0.48	0.57	0.97	1.37	1.53	2.16	3.06	3.74	4.32
	BJ 0308	1.19	0.702	0.38	0.50	0.59	0.99	1.40	1.57	2.22	3.14	3.84	4.44
3/8"	BJ 0385	1.30	0.877	0.48	0.62	0.73	1.24	1.75	1.96	2.77	3.92	4.81	5.55
	BJ 04	1.40	0.912	0.50	0.64	0.76	1.29	1.82	2.04	2.88	4.08	4.99	5.77
OR	BJ 0462	1.42	1.053	0.58	0.74	0.88	1.49	2.11	2.35	3.33	4.71	5.77	6.66
	BJ 05	1.55	1.139	0.62	0.81	0.95	1.61	2.28	2.55	3.60	5.10	6.24	7.21
	BJ 06	1.70	1.367	0.75	0.97	1.14	1.93	2.73	3.06	4.32	6.11	7.49	8.65
1/2"	BJ 0616	1.70	1.404	0.77	0.99	1.17	1.99	2.81	3.14	4.44	6.28	7.69	8.88
	BJ 077	1.83	1.755	0.96	1.24	1.47	2.48	3.51	3.92	5.55	7.85	9.61	11.1
	BJ 08	1.88	1.823	1.00	1.29	1.53	2.58	3.65	4.08	5.77	8.15	9.99	11.5
	BJ 0924	1.98	2.106	1.15	1.49	1.76	2.98	4.21	4.71	6.66	9.42	11.5	13.3
	BJ 10	2.18	2.279	1.25	1.61	1.91	3.22	4.56	5.10	7.21	10.2	12.5	14.4
	BJ 15	2.72	3.418	1.87	2.42	2.86	4.83	6.84	7.64	10.8	15.3	18.7	21.6
	BJ 20	3.18	4.558	2.50	3.22	3.81	6.45	9.12	10.2	14.4	20.4	25.0	28.8
BJ 30	3.67	6.837	3.74	4.83	5.72	9.67	13.7	15.3	21.6	30.6	37.4	43.2	
3/8"	BJ 40	3.97	9.116	4.99	6.45	7.63	12.9	18.2	20.4	28.8	40.8	49.9	57.7
	BJ 50	4.37	11.394	6.24	8.06	9.53	16.1	22.8	25.5	36.0	51.0	62.4	72.1
1/2"	BJ 60	4.76	13.673	7.49	9.67	11.4	19.3	27.3	30.6	43.2	61.1	74.9	86.5
	BJ 70	5.16	15.952	8.74	11.3	13.3	22.6	31.9	35.7	50.4	71.3	87.4	101

$$\text{Flow Rate (l/min)} = K \sqrt{\text{bar}}$$

Standard Materials: Brass, 303 Stainless Steel, and 316 Stainless Steel (for nozzle number BJ01 and higher).

Spray angle performance varies with pressure. Contact BETE for specific data on critical applications.



Call for the name of your nearest BETE representative.
CALL 413-772-0846